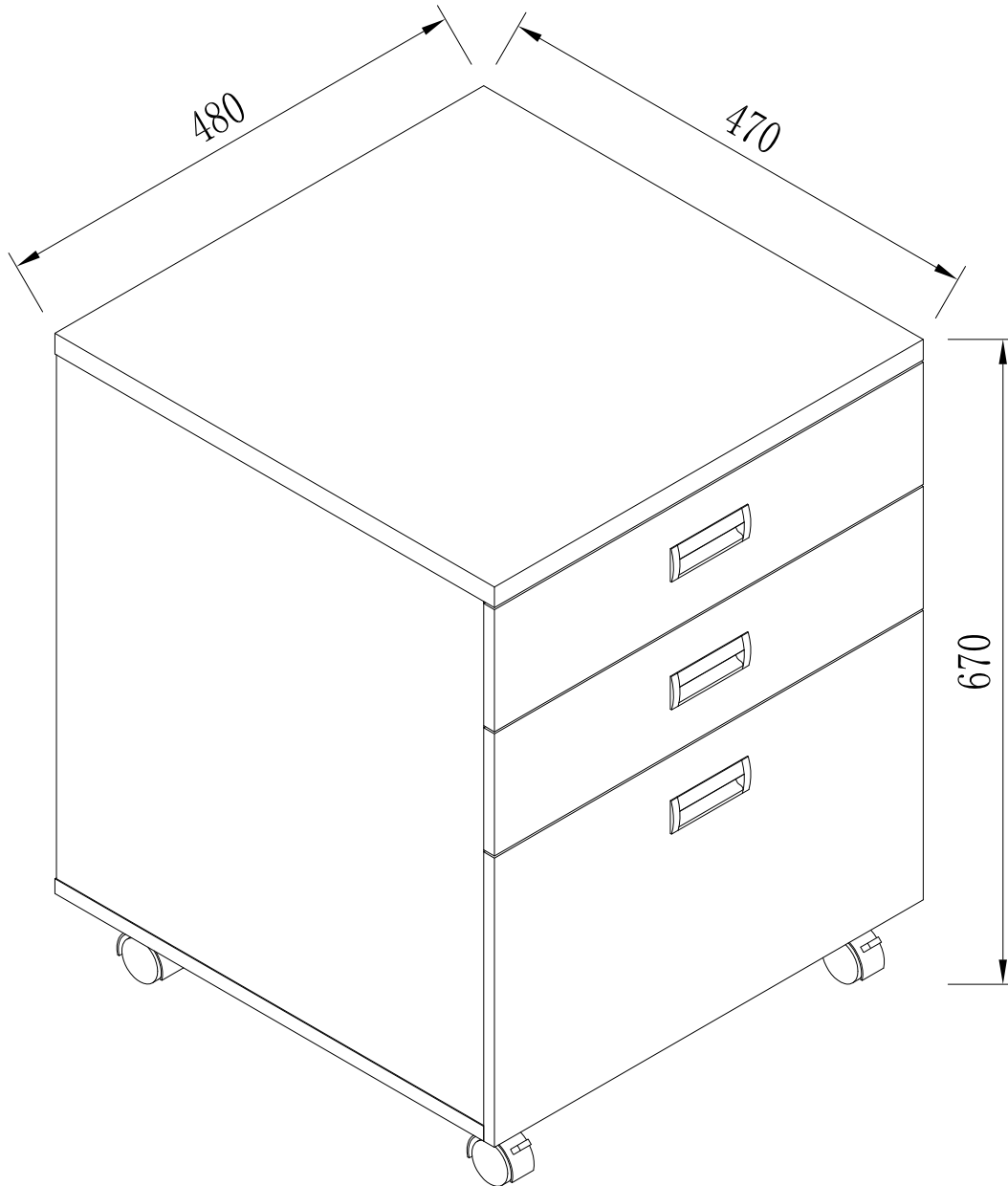




ASSEMBLY INSTRUCTION
EAGLEFIELD 3DRW FILING CABINET
ITEM CODE 61318

Imported by Amart Furniture Pty Ltd. Qld. Brisbane Australia.
For any assistance with assembly or for missing parts please phone
Amart Furniture Ewing Road, Customer Service Free call 1800 351 084

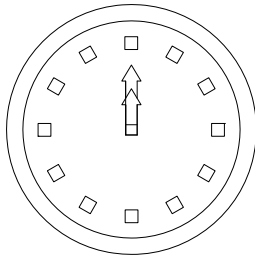




Imported by Amart Furniture Pty Ltd. Qld. Brisbane Australia.
For any assistance with assembly or for missing parts please phone Amart Furniture
Ewing Road, Customer Service Free call 1800 351 084

PRE-ASSEMBLY PREPARATION

Before you start:

1. Choose a clean, level, spacious assembly area. Avoid hard surfaces that may damage the product.
2. Take care when lifting. Product should be assembled as near as possible to the point of use.
3. Ensure that you have all required contents for complete assembly.
4. Always read the assembly instructions carefully before beginning assembly.
5. Keep all hardware parts and packaging out of reach of small children.
6. Do not over tighten the screws and bolts as this may damage the threads.

 <p>ALLOW 60 MINUTES</p>	 <p>1 PERSON REQUIRED</p>
 <p>ADDITIONAL TOOLS REQUIRED</p>	

! TIPPING WARNING !	
	<p> Serious or fatal injuries may occur from furniture toppling over. To help avoid this please follow the below recommendations:</p> <ul style="list-style-type: none">• Install the provided "Tipping Kit" as per the instructions• Never allow children to climb on or hang off of any part of this product• Unless specifically designed to accommodate, do not set TVs or other heavy objects on top of this product <p>If this product has drawers:</p> <ul style="list-style-type: none">• Place the heaviest items in lowest drawers• Do not open more than 1 drawer at a time as this may cause the product to become unbalanced• Do not tamper with or remove any drawer interlocking/running system <p>Note: The use of the provided "Tipping Kit" may reduce but not necessarily eliminate the risk of furniture toppling over. Please use this product with caution.</p> <p><i>This is a permanent label. Do not attempt to remove!</i></p>

CAM Lock and Pins

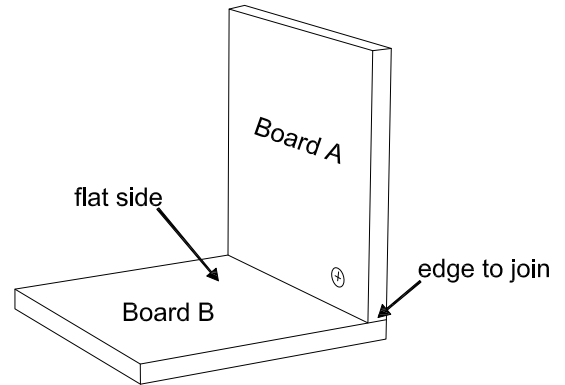
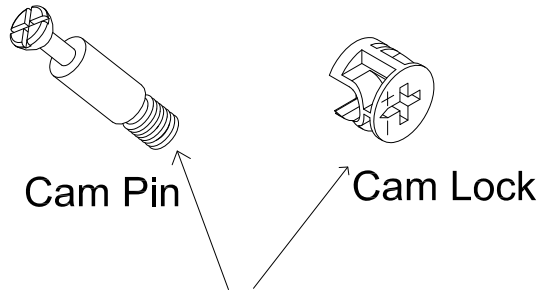
step 1

HOW TO USE CAM LOCK FASTENERS

To assemble this product hardware called Cam Lock Fasteners are used.

The below is information on how these work.

Cam Locks are fasteners used to join two boards together, usually the edge of one board(A) to the flat side of another board(B)



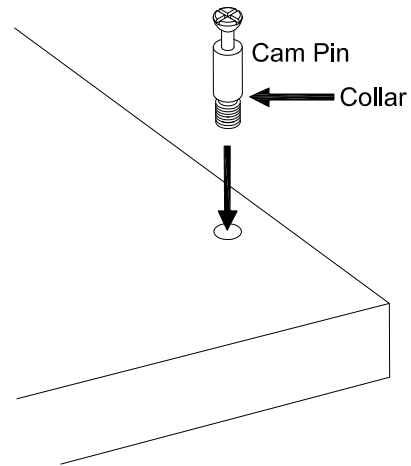
Ensure that you use the correct images that are representative of the hardware used in the product

step 2

To use Cam Lock Fasteners

The Cam Pin is inserted into the flat side of a board, it is important that:

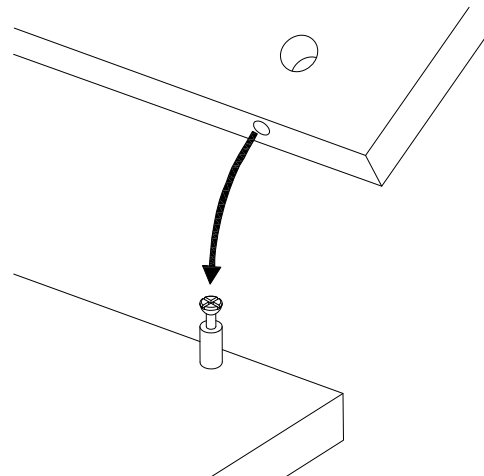
- * The cam pin is kept vertical and is not put in on an angle
- * Cam Pin is inserted up to the collar
 - * Too far and it wont catch the Cam Lock (Do not Over Tighten)
 - * Not enough and the resulting product wont be stable



step 3

To use Cam Lock Fasteners

Now fit the hole in the edge of the joining board over the Cam Pin

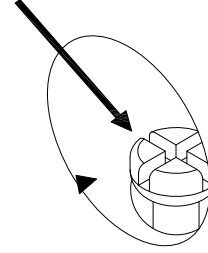


step 4

To use Cam Lock Fasteners

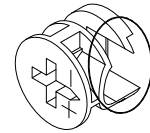
The Head of the Cam Pin will be visible in the large hole on the side of the joining board

head of the Cam Pin



To use Cam Lock Fasteners

Notice the Cam Lock has a "C" Shaped back An Arrow or +/- signs on the front, indicated the open section on the back of the Cam Pin



Cam Lock

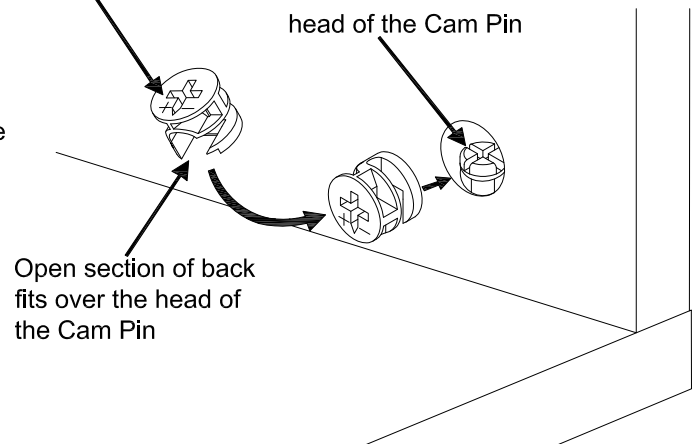
step 5

To use Cam Lock Fasteners

Insert the Cam Lock into the large hole so the opening of the "C" fits over the head of the Cam Pin. You must ensure that the Cam Lock is pushed to the bottom of the hole to catch the top of the Cam Pin

Arrow or +/- signs

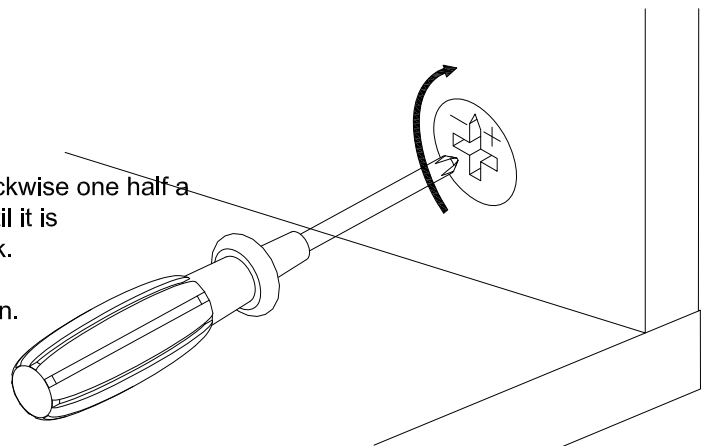
head of the Cam Pin



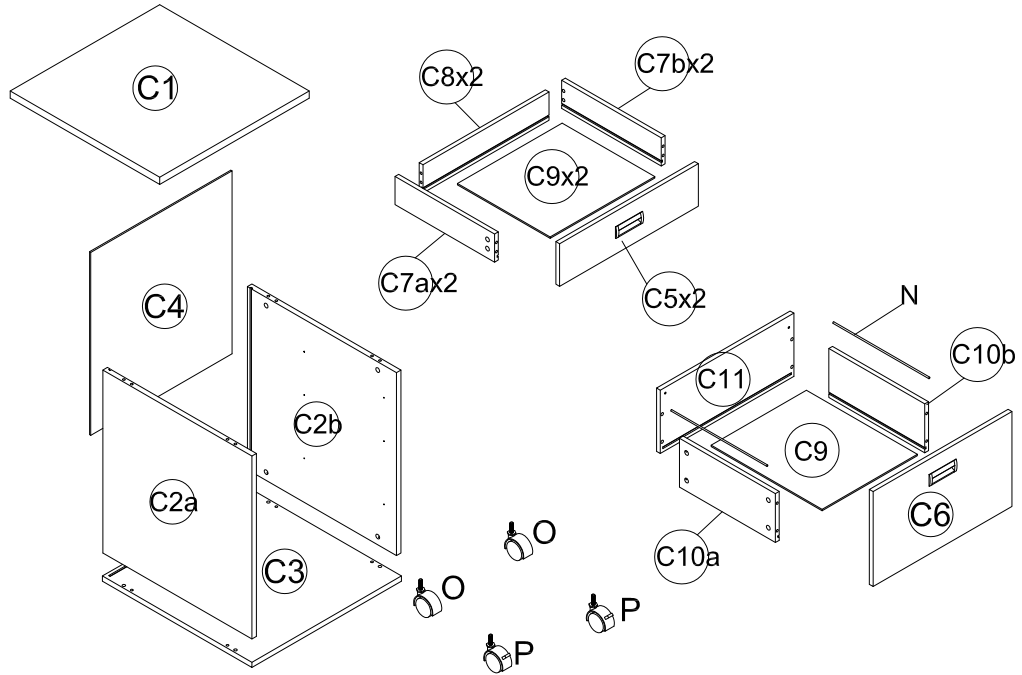
step 6

To use Cam Lock Fasteners

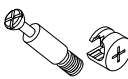
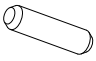

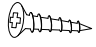

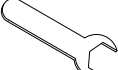
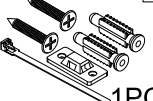

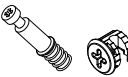
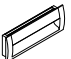
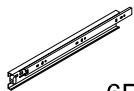

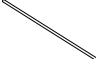


Use a Phillips Head Screw Driver to turn the Cam Lock clockwise one half a turn so it Locks onto the head of the Cam Pin. Turn only until it is snug-over-tightening could cause the Cam to bend or break. If it will not turn the full amount, turn the Cam Pin out (counter-clockwise) one full turn, and try the Cam Lock again.



PARTS LIST



C1	Top Panel	C7b	Small Drawer Right Side Panel
C2a	Left Side Panel	C8	Small Drawer Back Panel
C2b	Right Side Panel	C9	Drawer Bottom Panel
C3	Bottom Panel	C10a	Big Drawer Left Side Panel
C4	Back Panel	C10b	Big Drawer Right Side Panel
C5	Small Drawer Front Panel	C11	Big Drawer Back Panel
C6	Big Drawer Front Panel		
C7a	Small Drawer Left Side Panel		

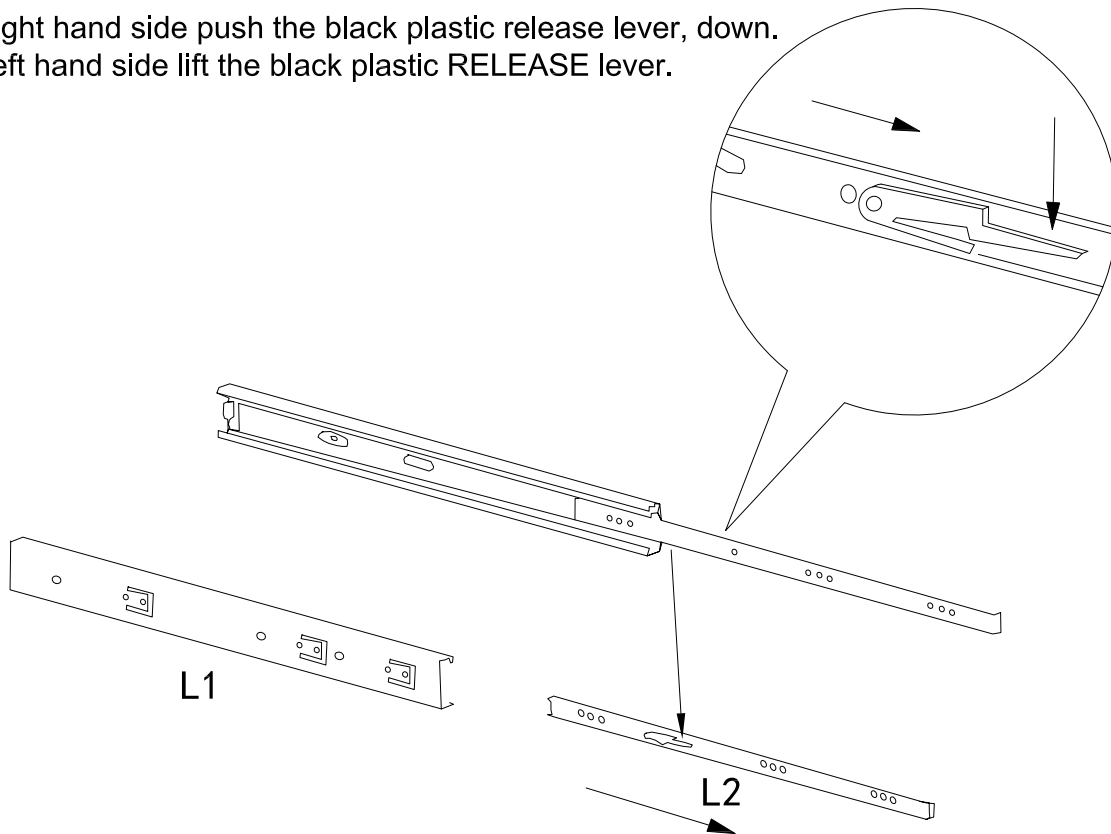
A. Cam lock and Cam pin Ø15X35	B. Dowel Ø8X30	C. Screw Ø3.5X12	D. Screw Ø3X18	E. Connector	F. Wrench Key M14	G. Belt
						
8PCS	8PCS	36PCS	4PCS	4PCS	1PCE	1PCE
	I. Screw Ø3.5X30	J. Cam lock and Cam pin Ø12X20	K. Handle	L. Runner 400mm	M. Bolt M4X8	N. Hanger bar Ø5X405
						
	8PCS	16PCS	3PCS	6PCS	6PCS	2PCS
O. Wheel	P. Wheel					
						
2PCS	2PCS					

STEP 1:

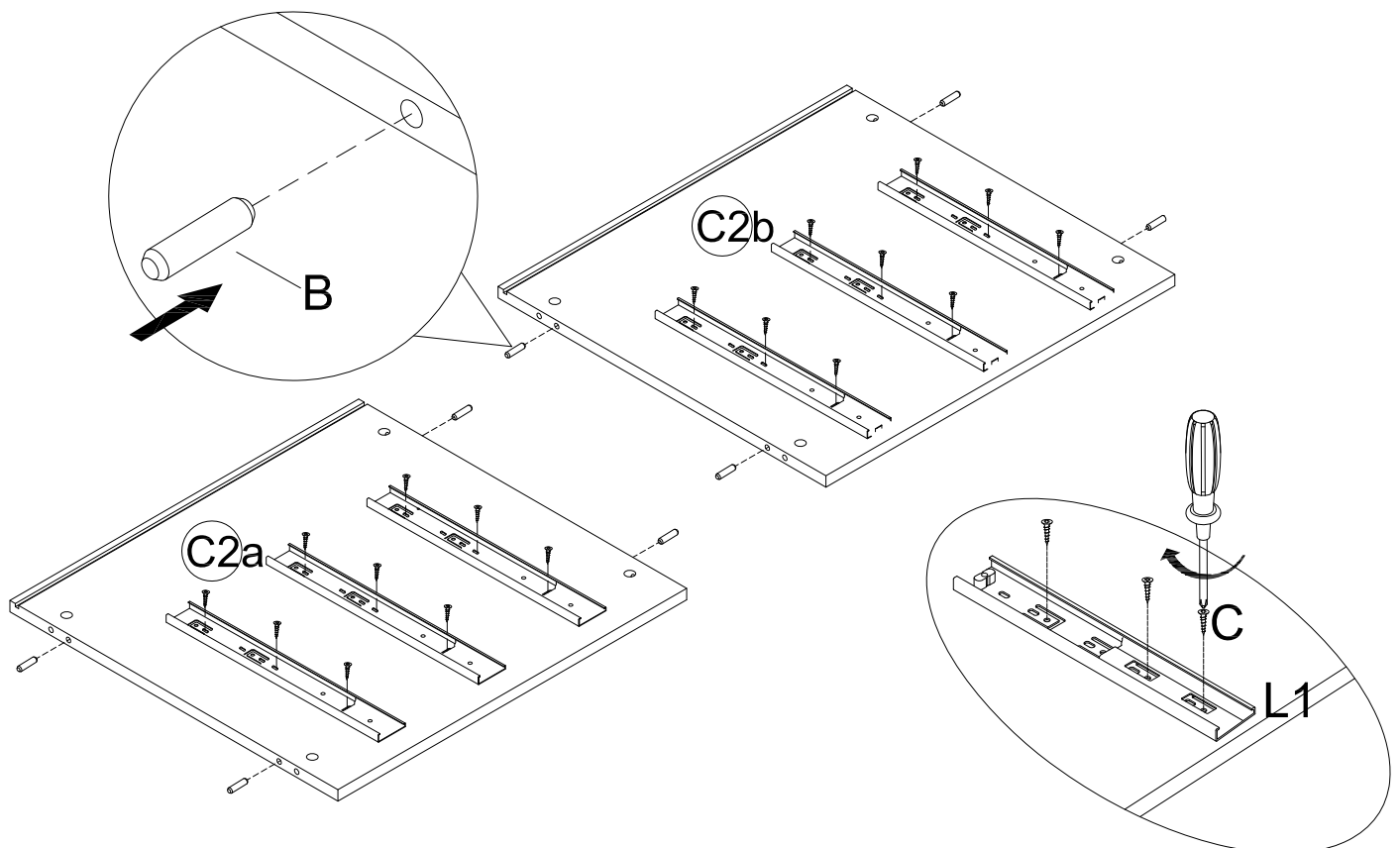
Runner slide separately ($L=L1+L2$)

Carefully pull out the runner slide (L2) and press plastic clip to fully separate runner slide as diagram shown

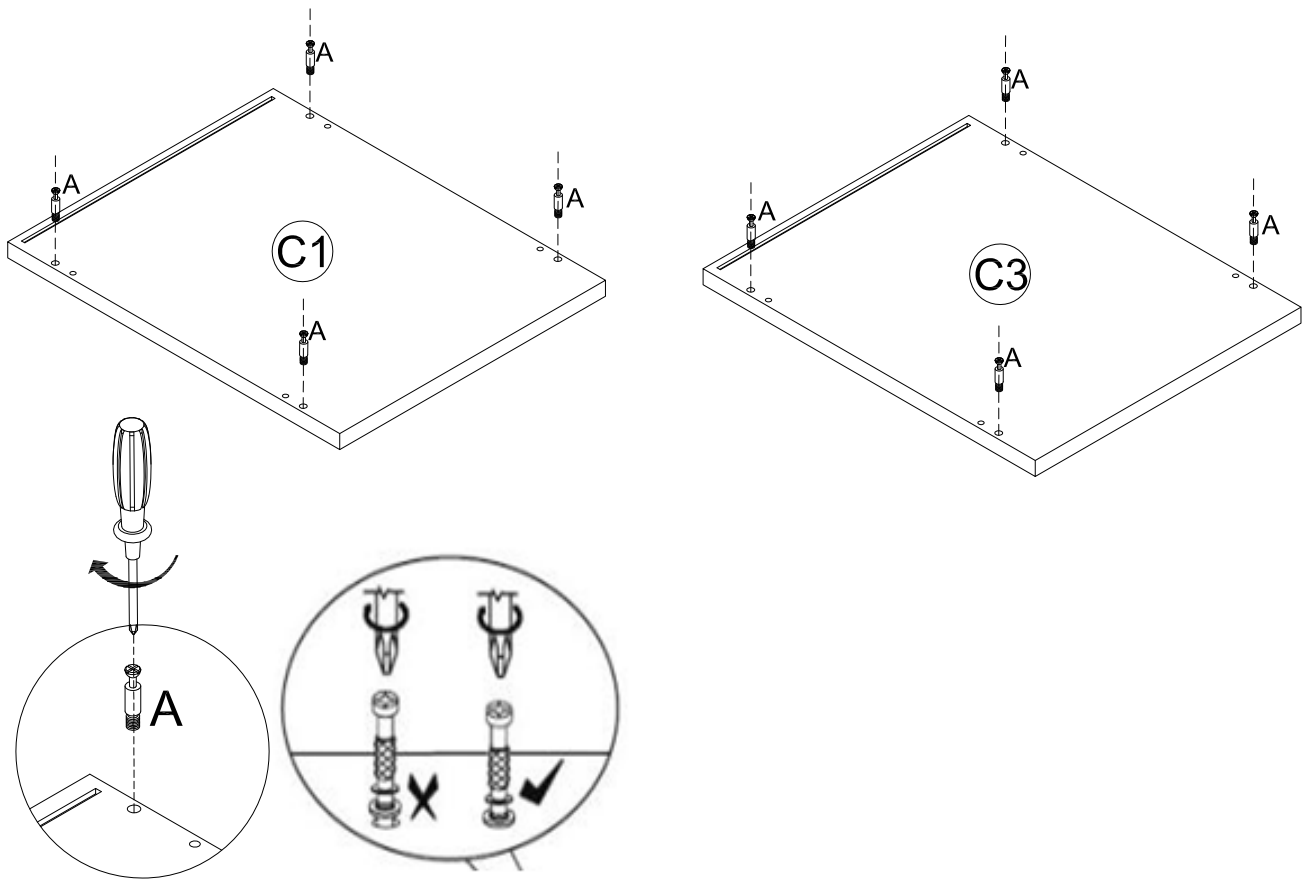
For the right hand side push the black plastic release lever, down.
For the left hand side lift the black plastic RELEASE lever.



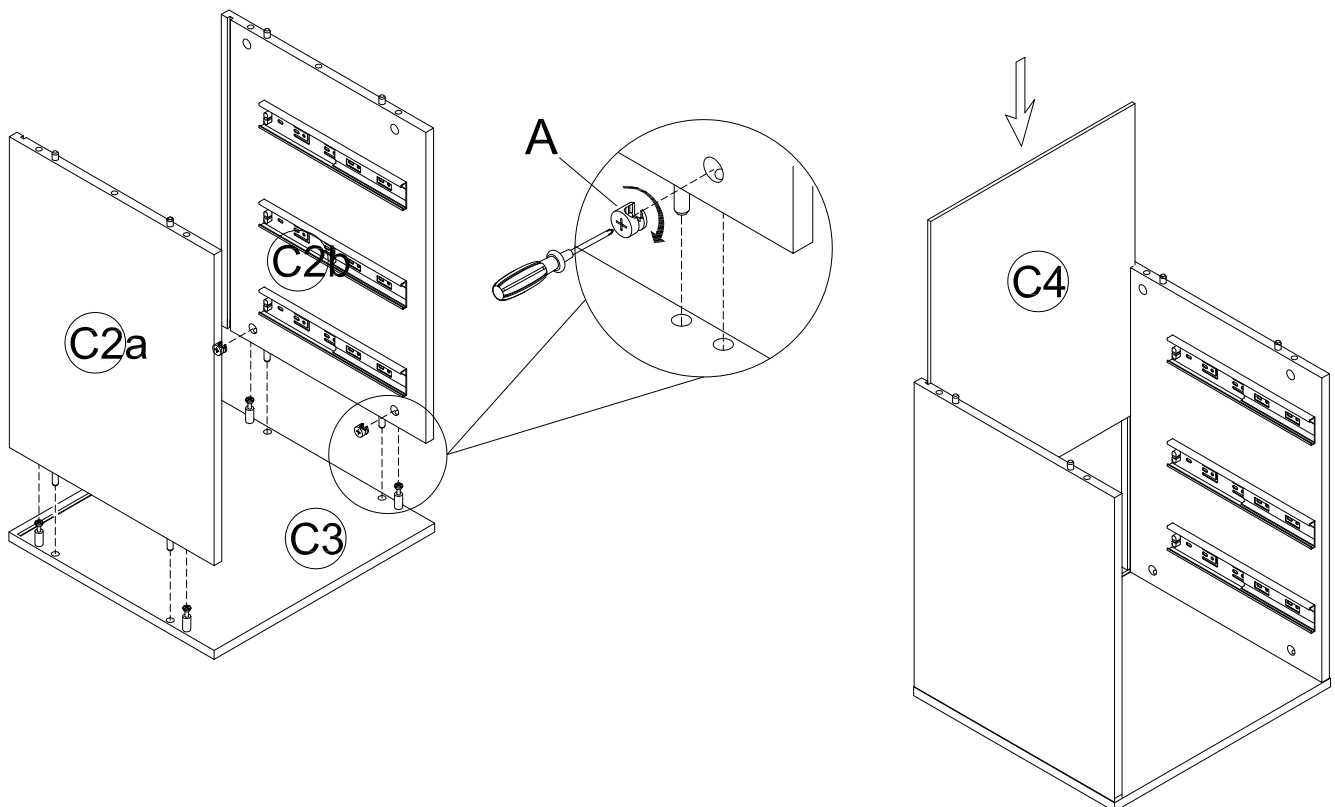
STEP 2: Use a Phillips Head Screw Driver to tighten the Runner (L1) to the Left Side and Right Side Panels (C2a, C2b) with Screws (C), Insert the Dowels (B) to the Left Side and Right Side Panels (C2a, C2b).



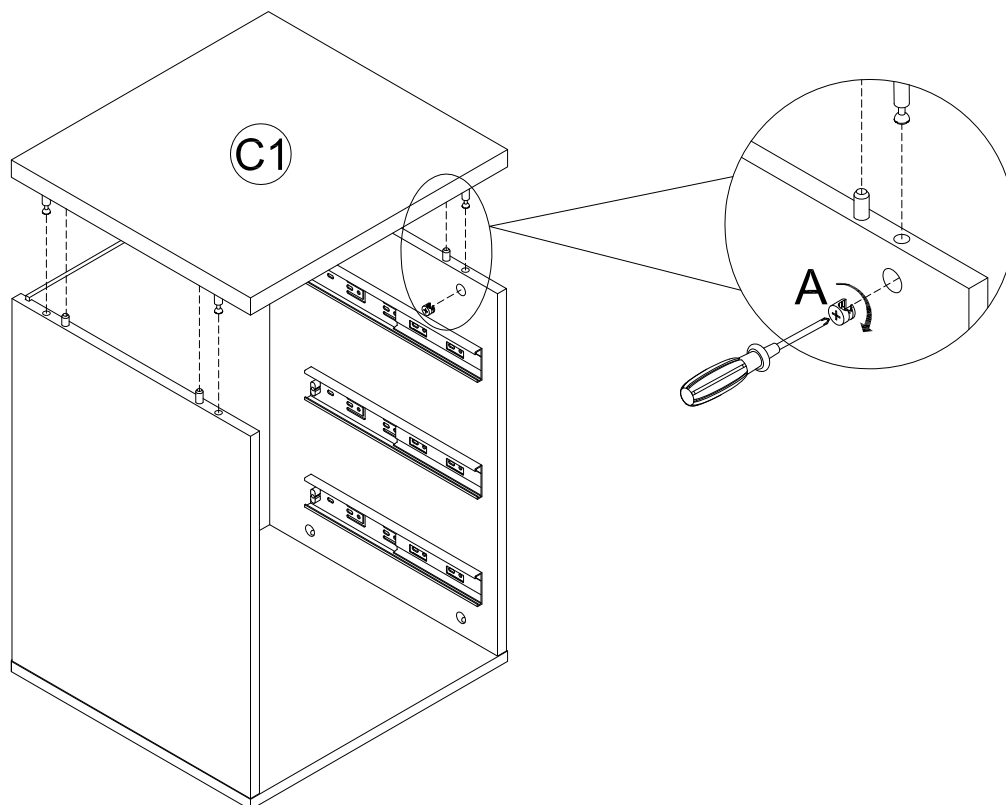
STEP 3: Use a Phillips Head Screw Driver to tighten the Cam Pins(A)to the Top Panel(C1)and Bottom Panel(C3).



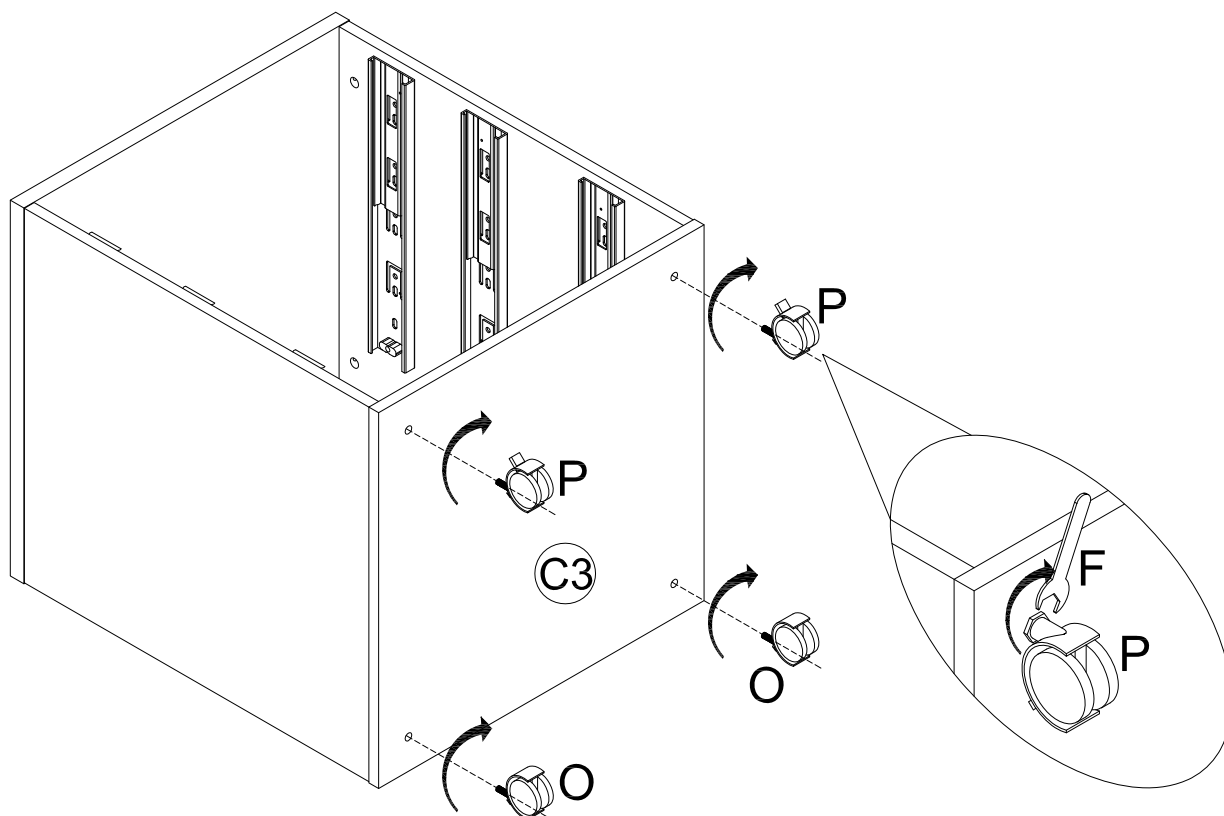
STEP 4: Assemble the Left Side and Right Side Panels(C2a,C2b) to the Bottom Panel(C3), Use a Phillips Head Screw Driver to tighten Cam Locks(A)to lock the head of the Cam Pins(A). Insert the Back Panel(C4)to the Left Side and Right Side Panels(C2a,C2b) and Bottom Panel(C3).



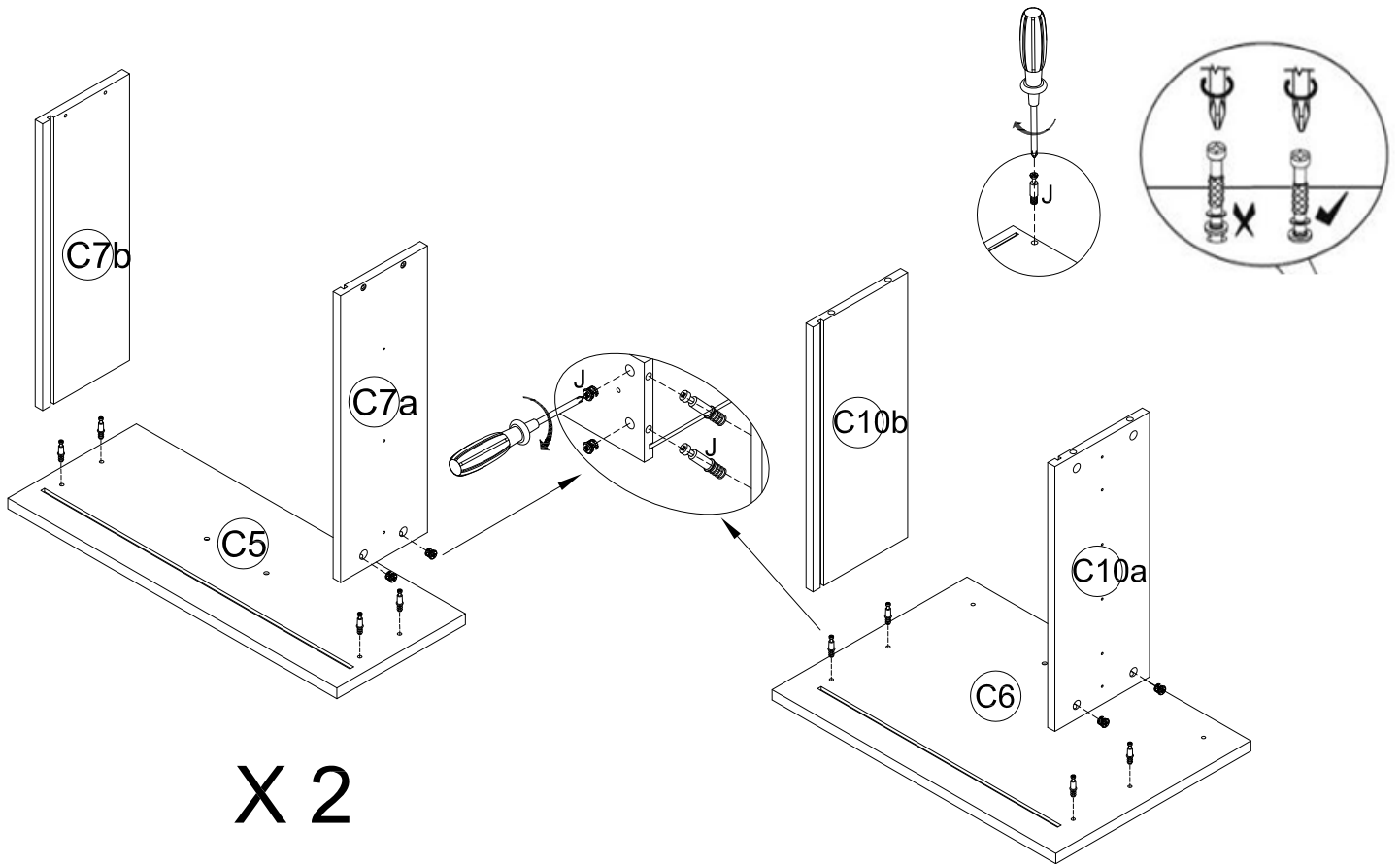
STEP 5: Assemble the Top Panel(C1)to the Left Side and Right Side Panels(C2a,C2b),
Use a Phillips Head Screw Driver to tighten Cam Locks(A)to lock the head of the Cam Pins(A).



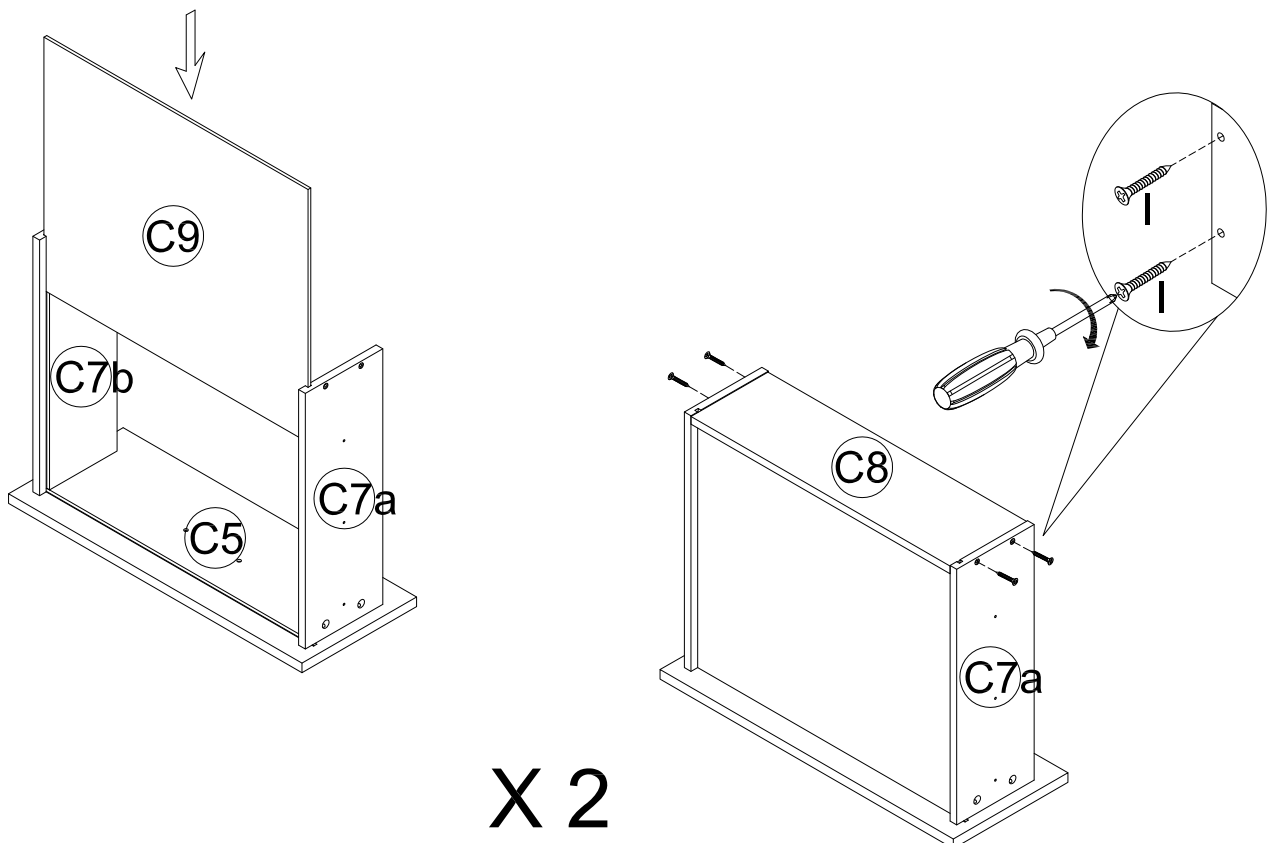
STEP 6: Use a Wrench Key(F) to tighten the Wheels(O,P)to the Bottom Panel(C3).



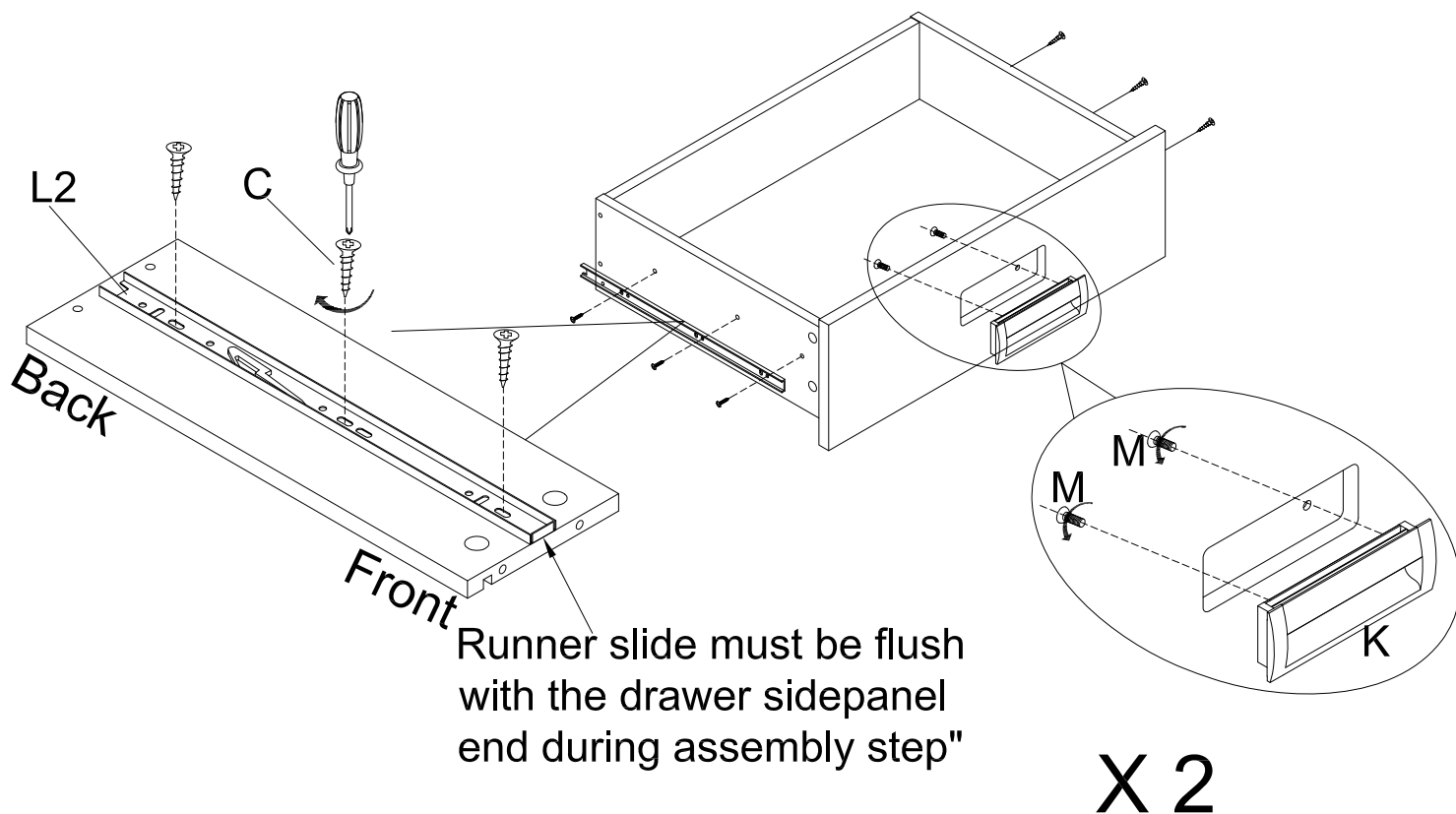
STEP7: Use a Phillips Head Screwdriver to tighten Cam Pins(J)to the Drawer Front Panels(C5,C6), Insert the Cam Locks(J)into the Drawer Side Panels(C7a,C7b,C10a,C10b), Use a Phillips Head Screwdriver to turn the Cam Locks(J)to lock the heand of Cam Pins(J).



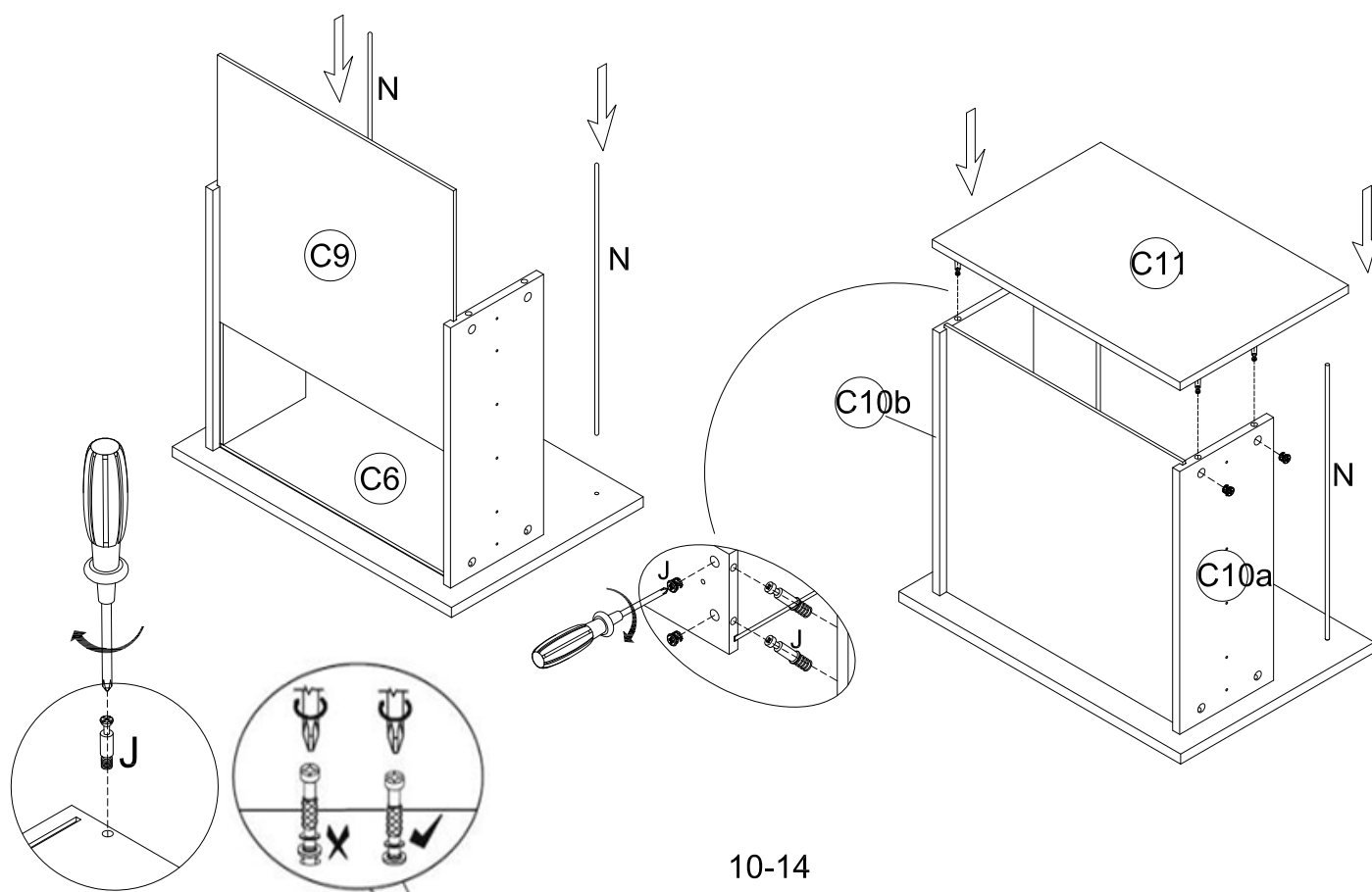
STEP 8: Insert the Drawer Bottom Panel (C9)to the Drawer Side panels(C7a,C7b) and Drawer Front Panel(C5),Use a Phillips Head Screwdriver to tighten Drawer Back Panel(C8)to the Drawer Side Panels(C7a.C7b)with Screws(I).



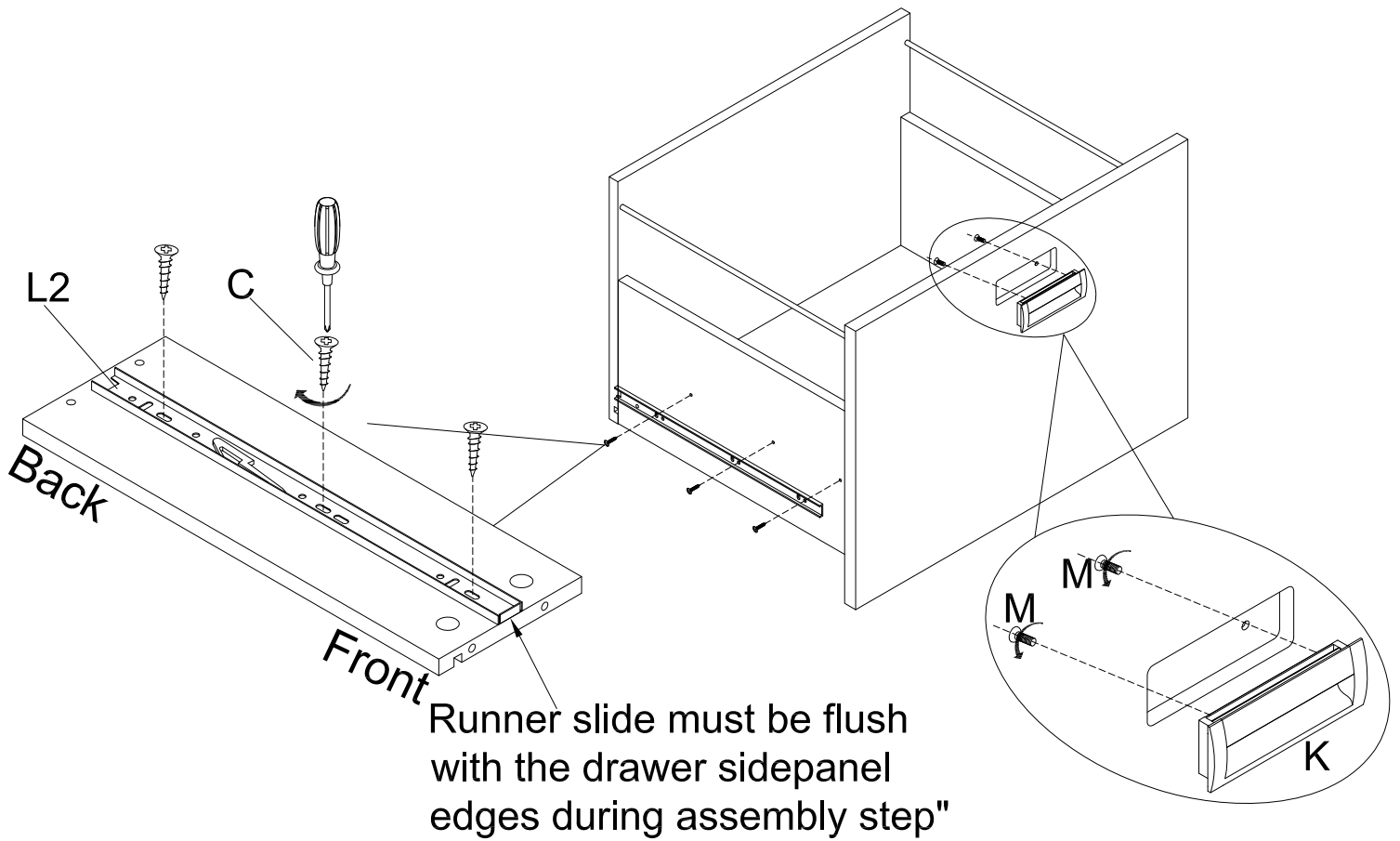
STEP 9: Use a Phillips Head Screw Driver to tighten Runners(L2)to the Drawer Side Panels(C7a.C7b) with Screws(C)and tighten Handles(K)to the Drawer Front Panels(C5)with Bolts(M).



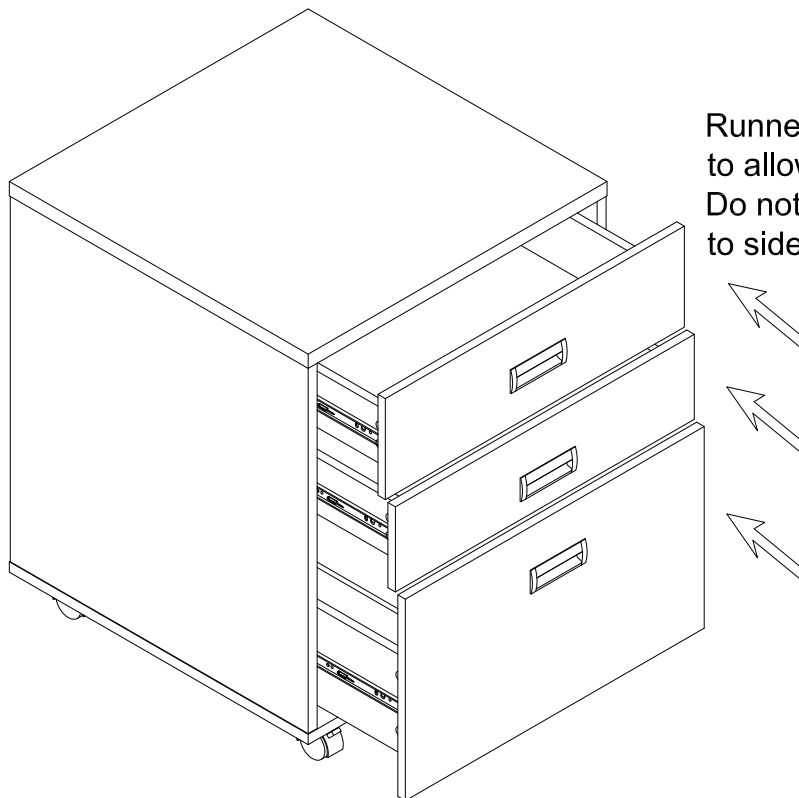
STEP 10: Insert the Drawer Back Panel(C9)to the back groove,Insert the Hanger Bars(N)to the Drawer Front Panel(C6),Use a Phillips Head Screwdriver to tighten Cam Pins(J)to the Big Drawer Back Panels(C11),Assemble the Big Drawer Back panel(C11)to the Drawer Side Panels(C10a,C10b),Use a Phillips Head Screwdriver to thurn the Cam Locks(J)to lock the heand of Cam Pins(J).



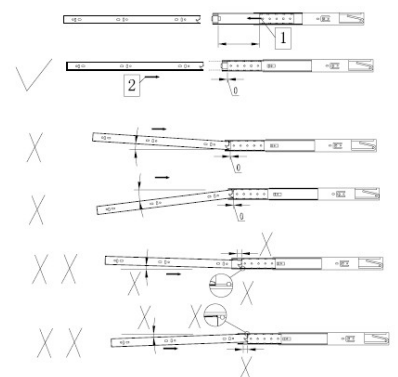
STEP 11: Use a Phillips Head Screw Driver to tighten the Runner (L2) to the Drawer Left Side Panel(C10a)and Right Side Panel(C10b)with Screws(C).Use a Phillips Head Screw Driver to tighten the Handle(K)to the Big Drawer Front Panel(C6)with Bolts(M).



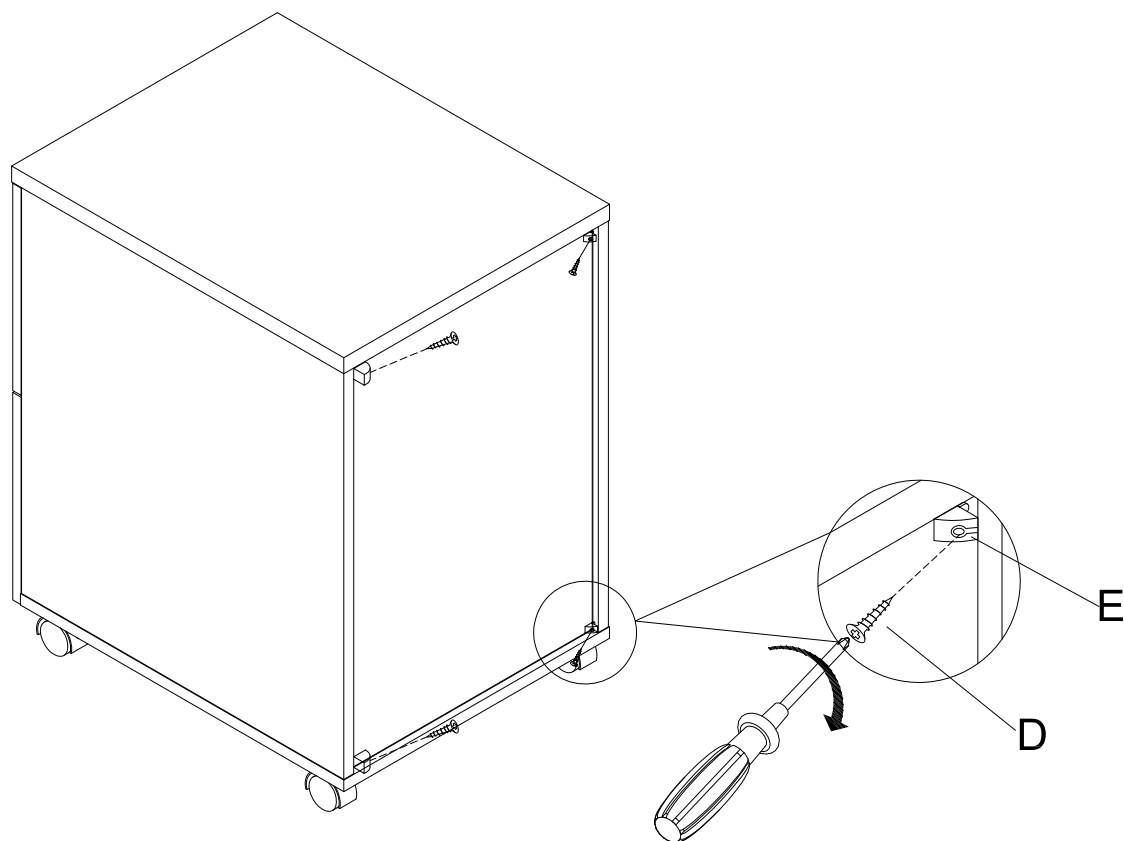
STEP 12: Insert the Drawer to the body.



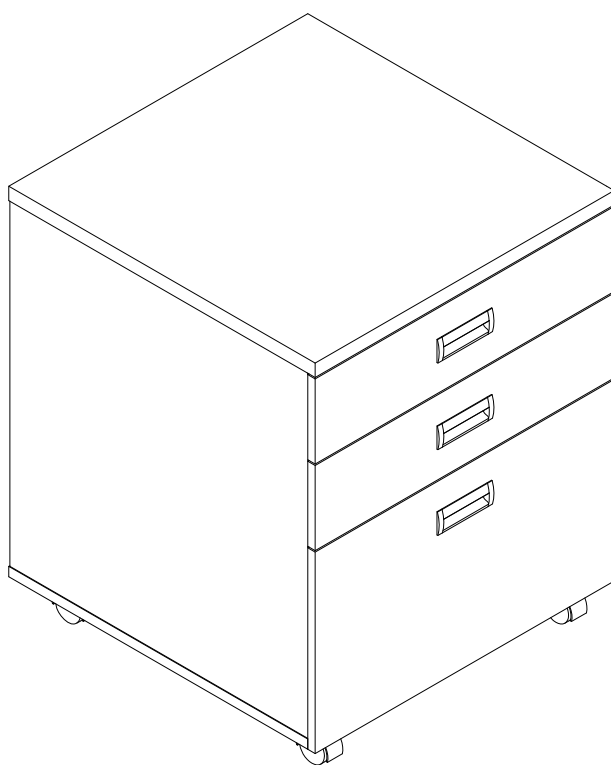
Runners must be parallel and horizontal to allow installing correctly. Do not force drawer move side to side to feel correct position.



STEP 13: Use a Phillips Head Screw Driver to tighten the Connectors(E)to the Corner of the Back with Screws(D).



Assembly is complete.



SAFETY BRACKETS INSTRUCTIONS

This furniture poses a tipping risk and as such must be secured to a wall using the provided tipping kit.

1. Attach one Mounting Plate to the wall with the Large Screws. Make sure to attach the Mounting Plate into a stud. If mounting into brick or masonry you will need to acquire wall anchors. Please enquire with your local hardware supplier for appropriate fixings.
2. Attach the second Mounting Plate to the furniture frame with the Short Screws.
3. Move the furniture to its final position. Thread a Wall Strap through the both Mounting Plates and tighten until snug. Do not over tighten.
4. Make sure that the Mounting Plates are firmly attached to the wall and furniture and that the Wall Strap is snug.

HARDWARE



Mounting Plate x 2



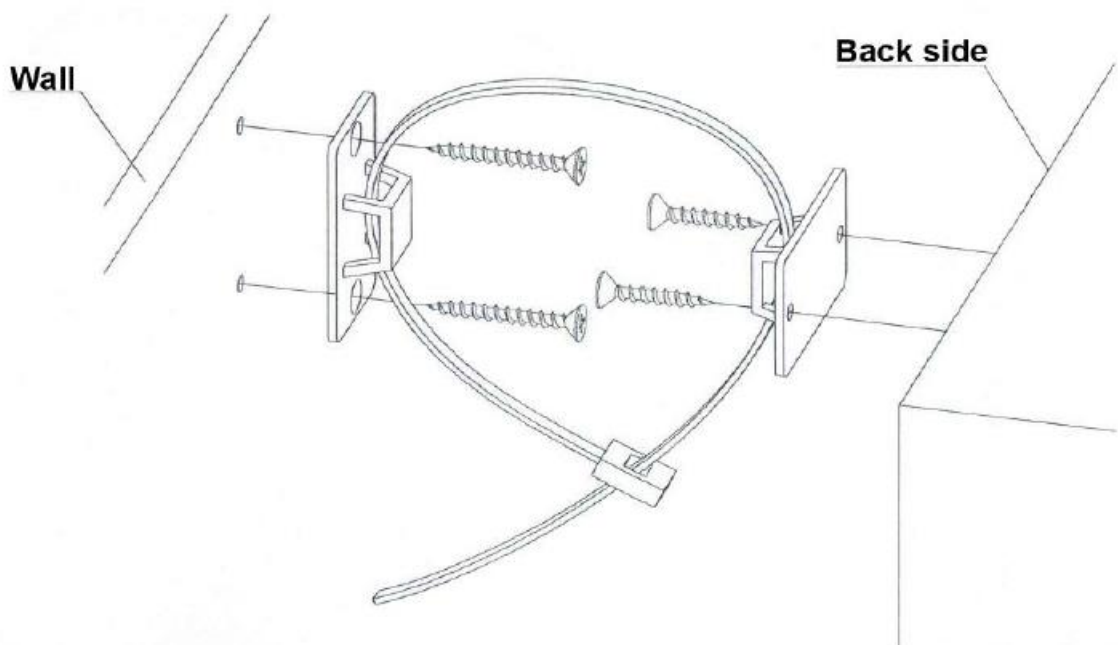
Wall Strap x 1



Large Screw x2



Small Screw x2



IMPORTANT: CARE GUIDE FOR YOUR HI-GLOSS FURNITURE

Congratulations! You have just purchased a quality product from Amart Furniture, Australia's largest discount furniture retail store. Please read on for important information regarding your purchase...

Hi-gloss lacquered furniture is more sensitive to marks and scratching than some other furniture products. It is important to exercise caution and care to maximise the life and beauty of this product.

Following the below simple guidelines when using your hi-gloss product will protect your investment for years to come:

- Dust frequently with a clean damp, lint-free cloth. This will help remove abrasive build up which can damage a finish over time.
- Avoid using chemicals or solvents when cleaning the product.
- Do not place hot objects on any furniture surface. Always use a hot plate or placemat. Lacquer finishes provide added scratch and heat resistance to our furniture, but they can still be damaged without proper care.
- Avoid exposing your furniture to strong sunlight. Prolonged exposure to direct sunlight can fade the finish of your furniture.
- Do not expose your furniture to any liquids. Avoid allowing water to sit on your furniture. Alcohol, nail polish and perfume are particularly harmful as they will dissolve the lacquer finish on contact.
- Do not allow plastic to come in direct contact with your furniture. Chemicals in the plastic of some placemats etc may soften and mark the finish if left in contact with the furniture for a period of time.
- Avoid placing sharp or rough objects on the surface of your furniture. These may scratch the surface of the product.
- When moving your furniture, do not drag it across the floor. This may damage the product. Instead use two people to lift carefully with caution from either end.